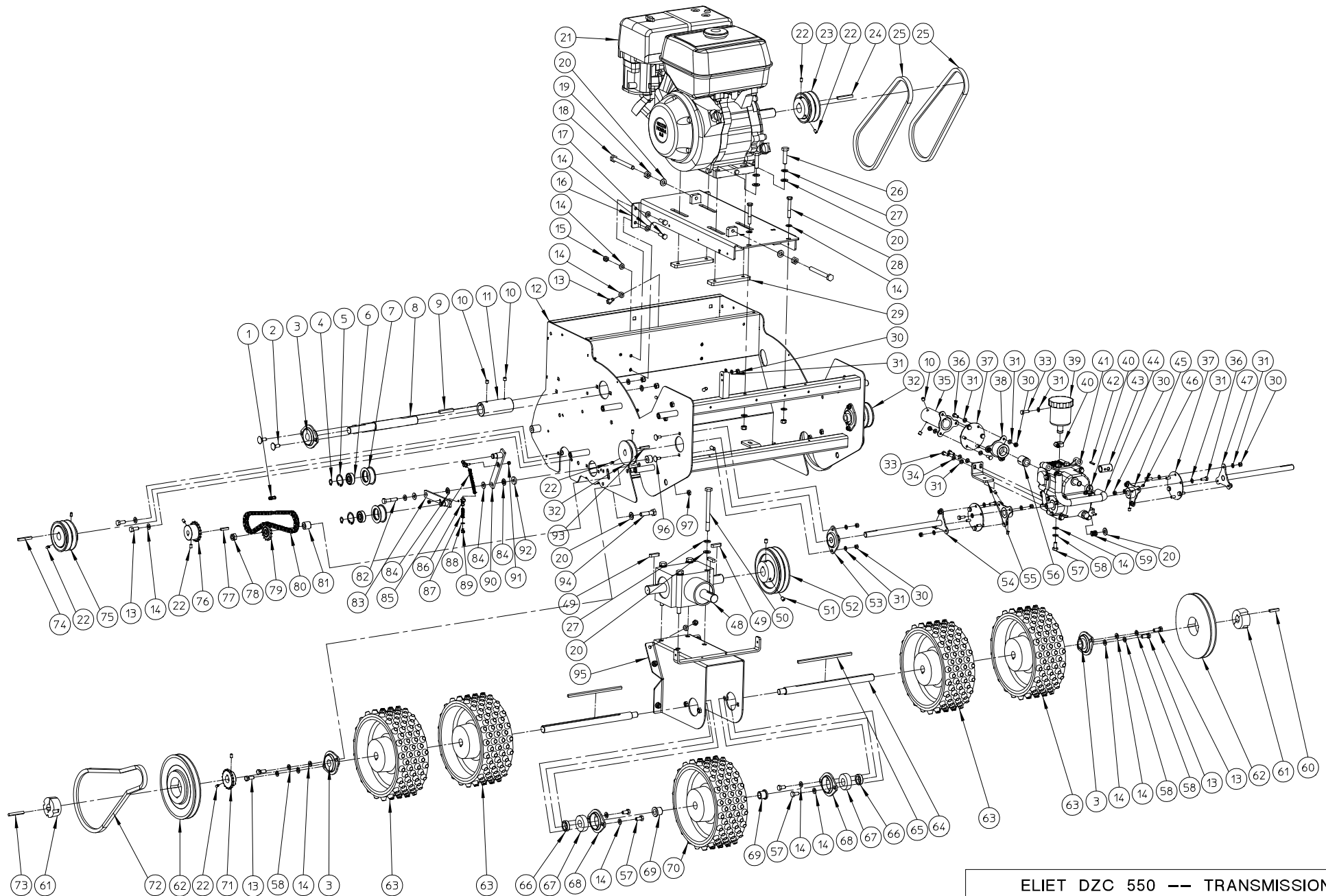


ELIET DZC 550 -- GENERAL

NO	MMA 01 330 100	REV	2	DATE	2014/01/24
----	----------------	-----	---	------	------------

#	Order nr	article description	quantity
1	MMA 01 330 110	frame transmission	1
2	MMA 01 330 120	control	1
3	MMA 01 330 130	caps container	1
4	MMA 01 330 140	rotor	1
5	MMA 01 330 150	handle bar	1

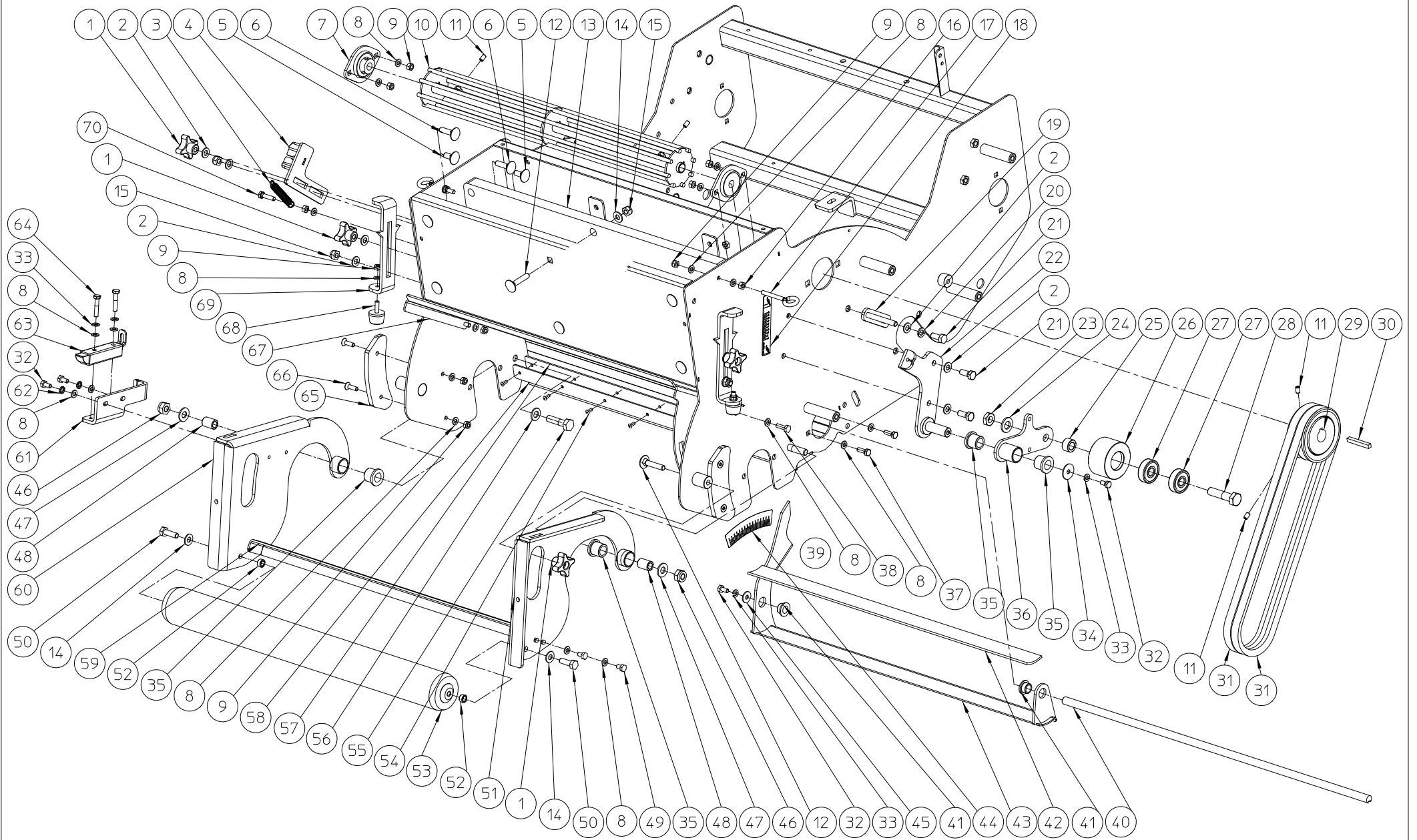


ELIET DZC 550 -- TRANSMISSION

NO	MMA 01 330 110	REV	1	DATE	2014/01/24
----	----------------	-----	---	------	------------

#	Order nr	article description	quantity
1	BA 151 200 000	connecting chain link simplex 3/8"x7/32"	1
2	BS 554 100 820	bolt m8x20 din 603	2
3	BL 801 102 001	bearing + flanges aspfl 204	3
4	BB 001 000 120	retaining ring 12 din 471	4
5	BB 002 000 320	retaining ring 32 din 472	4
6	BL 001 203 203	bearing 6201 zz	4
7	BA 599 006 202	idler roller Ø44	4
8	MPA 01 330 710	shaft pulley	1
9	BB 341 080 745	key 8x7x45 din 6880	1
10	BS 023 000 808	set screw m8x8 din 916	4
11	MPA 01 330 720	bushing	1
12	MPA 01 330 010	chassis dzc 550	1
13	BS 512 000 820	bolt m8x20 din 933	14
14	BS 531 000 800	washer m8 din 125	45
15	BS 502 000 800	self locking nut m8 din 985	18
16	MPA 01 330 020	engineplate	1
17	BS 512 000 825	bolt m8x25 din 933	4
18	BS 512 001 050	bolt m10x100 din 933	2
19	BS 501 001 000	nut m10 din 934	2
20	BS 531 001 000	washer m10 din 125	12
21	BM 202 109 000	honda gx 270	1
22	BS 023 000 610	set screw m6x10 din 916	13
23	BA 565 708 023	pulley spa ii 80x1"x1/4"	1
24	BB 342 060 650	key 6.35x6.35x50 din 6880	1
25	BA 521 208 820	belt xpa 882	2
26	BS 512 001 040	bolt m10x40 din 933	4
27	BS 533 001 000	lock washer m10 din 127b	8
28	BS 511 000 843	bolt m8x55 din 931	2
29	MPA 01 330 840	plate support engine	2
30	BS 502 000 600	self locking nut m6 din 985	23
31	BS 531 000 600	washer m6 din 125	45
32	BA 565 706 501	pulley spa 65x15x5	2
33	BS 512 000 620	bolt m6x20 din 933	3
34	BS 533 000 600	lock washer m6 din 127b	2
35	MPA 01 330 160	linkage acceleration gear box	1
36	BS 512 000 616	bolt m6x16 din 933	18
37	BR 910 000 130	flexible coupling	3
38	MPA 01 330 170	linkage acceleration honda	1
39	BH 240 500 003	expansion tank	1
40	BT 670 113 200	hose clamp 13x20mm	2
41	BH 240 500 002	variable displacement pump honda vr 30s	1
42	BB 120 040 200	locking 4x20 din 1481	1
43	MPA 01 330 670	bushing control acceleration	1
44	BR 200 213 030	hydraulic pipe 13x19x300mm	1
45	MPA 01 330 140	front scraper	2
46	BS 023 000 608	set screw m6x8 din 916	4
47	MPA 01 330 130	shaft transmission a short	1
48	BA 670 100 303	gearbox	1
49	BB 351 080 732	key 8x7x32 din 6885a	3
50	BS 511 001 052	bolt m10x120 din 931	4
51	BS 023 000 810	set screw m8x10 din 916	2
52	BA 565 712 521	pulley spa ii 125x25x8	1

53	BL 801 101 500	bearing + flanges aspfl 202	2
54	MPA 01 330 120	shaft transmission a long	1
55	MPA 01 330 640	hook support	1
56	BB 503 150 250	trantorque Ø15/Ø25	1
57	BS 512 000 816	bolt m8x16 din 933	5
58	BS 533 000 800	lock washer m8 din 127b	5
59	BV 911 000 010	spring 14x2x16	1
60	BB 341 060 630	key 6x6x30 din 6880	1
61	BB 501 132 000	taper lock tl 1610-20	2
62	BA 562 718 011	pulley spa 180 tl1610	2
63	BW 526 020 000	rubber wheel 260x100	4
64	MPA 01 330 700	shaft wheel	2
65	BB 341 069 908	key 6x6x180 din 6880	2
66	MPA 01 330 760	spacer ring 8mm	2
67	BL 502 004 703	bearing ntn cs 204	2
68	BL 711 102 000	flanges pf 204 (2x)	2
69	BR 112 152 090	nylon bushing with collar (15/21/27x21/3)	2
70	BW 526 028 503	free rubber wheel 260x100	1
71	BA 161 018 200	sprocket simplex 3/8"x7/32" 18t	1
72	BA 521 209 750	belt xpa 975	2
73	BB 341 060 650	key 6x6x50 din 6880	1
74	BB 341 060 645	key 6x6x45 din 6880	1
75	BA 565 708 022	pulley spa ii 80x20x6	1
76	BA 161 018 120	sprocket simplex 3/8"x7/32" 18t	1
77	BB 341 050 525	key 5x5x25 din 6880	1
78	BS 502 001 000	self locking nut m10 din 985	1
79	BA 198 010 150	sprocket simplex 3/8"x7/32" 15t + bearing	1
80	BA 101 065 020	chain simplex 3/8"x7/32" 65l	1
81	MPA 01 330 790	spacer pinion	1
82	BS 511 000 840	bolt m8x40 din 931	2
83	MPA 01 330 970	tension lever under	2
84	BR 112 080 300	nylon bushing with collar (8.2/10.9/18x3.5/1.5)	8
85	BV 923 000 080	spring	2
86	BK 610 200 500	cable support m5	4
87	BV 011 208 025	compression spring 1,2x8x25	2
88	BS 531 000 400	washer m4 din 125	2
89	BK 170 207 000	cable fastener 7x10mm	2
90	MPA 01 330 300	tenser lever traction top	2
91	BS 502 000 500	self locking nut m5 din 985	4
92	BS 531 200 800	washer m8 din 7349	2
93	BB 341 050 530	key 5x5x30 din 6880	2
94	BS 511 001 040	bolt m10x40 din 931	1
95	MPA 01 330 050	support gear box	1
96	BS 554 100 616	bolt m6x16 din 603	4
97	BS 501 900 800	nut m8 din 439	2

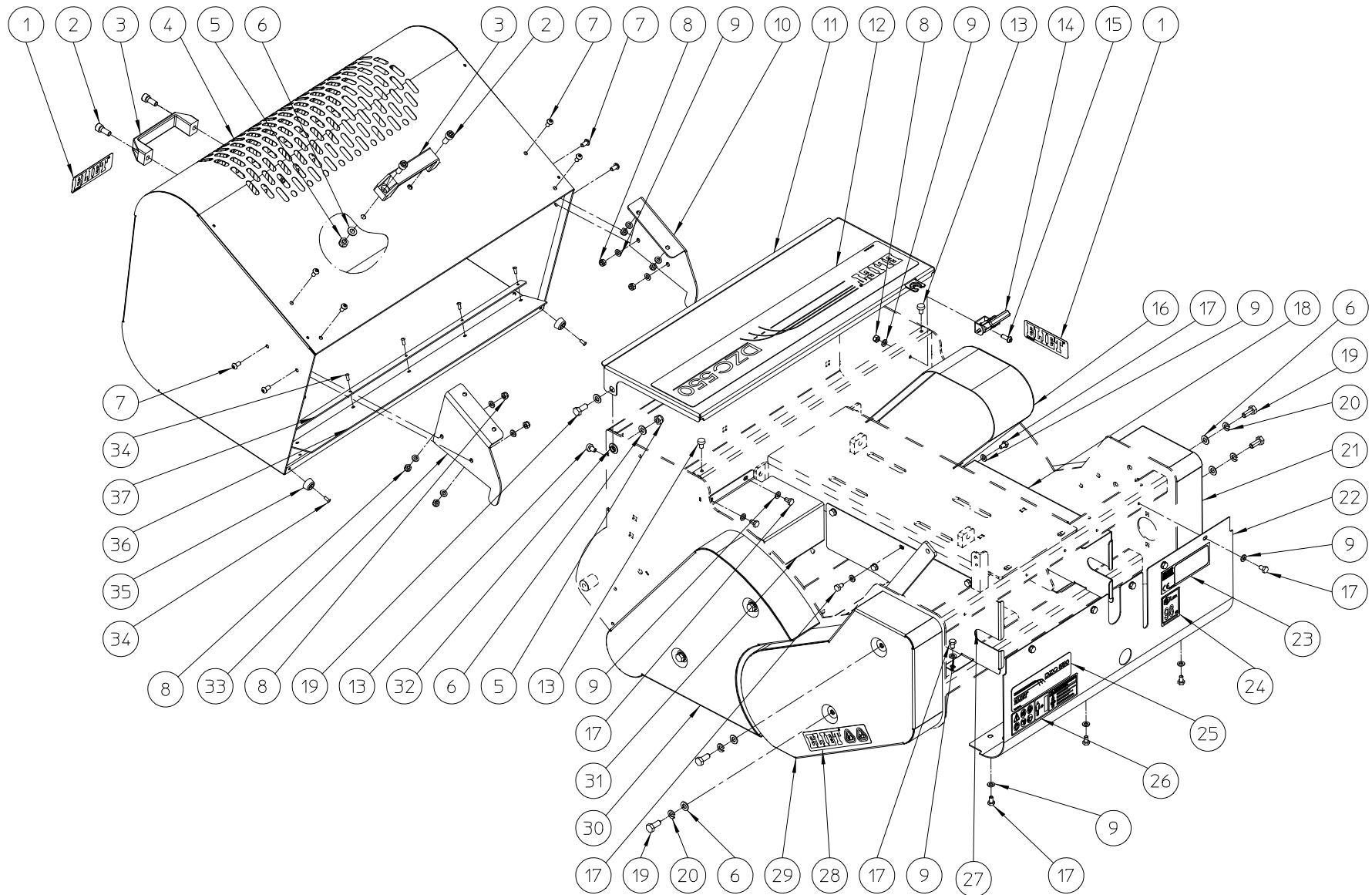


ELIET DZC 550 -- STEERING UNIT

NO	MMA 01 330 120	REV	2	DATE	2014/01/24
----	----------------	-----	---	------	------------

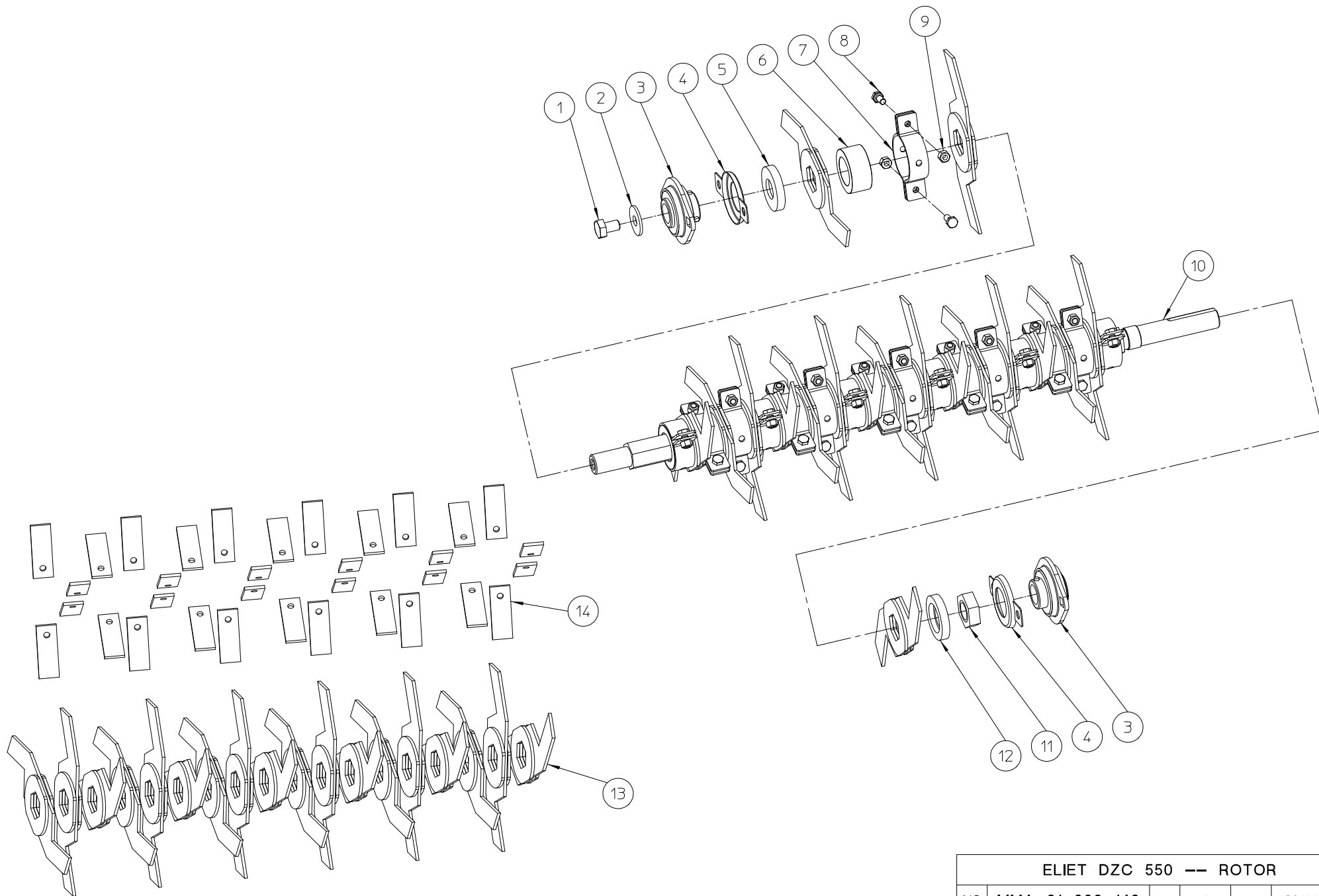
#	Order nr	article description	quantity
1	BN 630 808 400	lob knob 188-40 m8	4
2	BS 531 000 800	washer m8 din 125	10
3	BV 011 011 007	spring 1x10x70	1
4	MPA 01 330 980	seedflow controller	1
5	BS 554 100 820	bolt m8x20 din 603	4
6	BS 554 100 830	bolt m8x30 din 603	3
7	BL 801 101 200	bearing + flanges aspfl 201	2
8	BS 531 000 600	washer m6 din 125	32
9	BS 502 000 600	self locking nut m6 din 985	14
10	MPA 01 330 100	agitator	1
11	BS 023 000 610	set screw m6x10 din 916	4
12	BS 554 100 840	bolt m8x40 din 603	7
13	MPA 01 330 630	weight plate	1
14	BS 532 008 183	washer m8x18x1.5	9
15	BS 502 000 800	self locking nut m8 din 985	11
16	BS 501 000 600	nut m6 din 934	3
17	BS 551 300 642	eye bolt m6x50x10	2
18	BQ 501 250 040	sticker scale marking 107x27mm	2
19	MPA 01 330 150	stop belt	1
20	BS 533 000 800	lock washer m8 din 127b	1
21	BS 512 000 820	bolt m8x20 din 933	3
22	MPA 01 330 080	support belt tightener	1
23	BS 501 901 200	nut m12 din 439	1
24	BS 531 001 200	washer m12 din 125	1
25	MPA 01 330 810	spacer tightener pulley	1
26	BA 599 006 101	idler roller Ø60	1
27	BL 001 203 703	bearing 6301 2rz	2
28	BS 511 001 242	bolt m12x50 din 931	1
29	BA 565 708 022	pulley spa ii 80x20x6	1
30	BB 341 060 645	key 6x6x45 din 6880	1
31	BA 521 709 141	belt a 36 powerated	2
32	BS 512 000 612	bolt m6x12 din 933	4
33	BS 533 000 600	lock washer m6 din 127b	4
34	BS 532 006 253	washer m6x25x1.5	1
35	BR 112 152 090	nylon bushing with collar (15/21/27x21/3)	4
36	MPA 01 330 090	belt tightener	1
37	BS 512 000 618	bolt m6x18 din 933	4
38	BS 512 000 620	bolt m6x20 din 933	2
39	MPA 01 330 624	bearing ring deflector	1
40	MPA 01 330 730	shaft transmission	1
41	BR 112 121 090	nylon bushing with collar (12/16/22x10/2)	2
42	BH 820 203 040	gasket 590x35x3	1
43	MPA 01 330 230	closing plate seedregulation	1
44	BQ 501 250 050	sticker scale depth adjustment knives dzc550	1
45	BS 532 006 183	washer m6x18x1.5	1
46	BS 502 001 000	self locking nut m10 din 985	2
47	BS 532 010 224	washer m10x22x2	3
48	MPA 01 330 740	pinion depth lift	2
49	BS 512 000 610	bolt m6x10 din 933	4
50	BS 512 000 825	bolt m8x25 din 933	2
51	MPA 01 330 070	support roller left	1
52	MPA 01 330 850	spacer roll	2

53	BY 450 020 590	roller Ø60 l:587	1
54	BB 221 004 100	pop plug steel 3.9x10	7
55	BS 511 001 040	bolt m10x40 din 931	2
56	BS 531 001 000	washer m10 din 125	1
57	BR 900 001 560	rubber strip 566x50x2.5	1
58	MPA 01 330 990	fixation rubber	1
59	MPA 01 330 110	scraper roller	1
60	MPA 01 330 060	support roller right	1
61	MPA 01 330 660	support locking rod	1
62	BS 534 000 600	lock washer m6 din 6798a	2
63	BO 360 504 180	draw-bolt 90°	1
64	BS 511 000 630	bolt m6x30 din 931	2
65	BR 910 000 540	ertalon 8mm	2
66	BS 522 100 620	screw m6x20 din 7991	4
67	MPA 01 330 030	deflector	1
68	BR 600 425 170	antivibration blocks 25x17b m6x18	2
69	MPA 01 330 650	height adjustment	2
70	BS 512 000 625	bolt m6x25 din 933	1



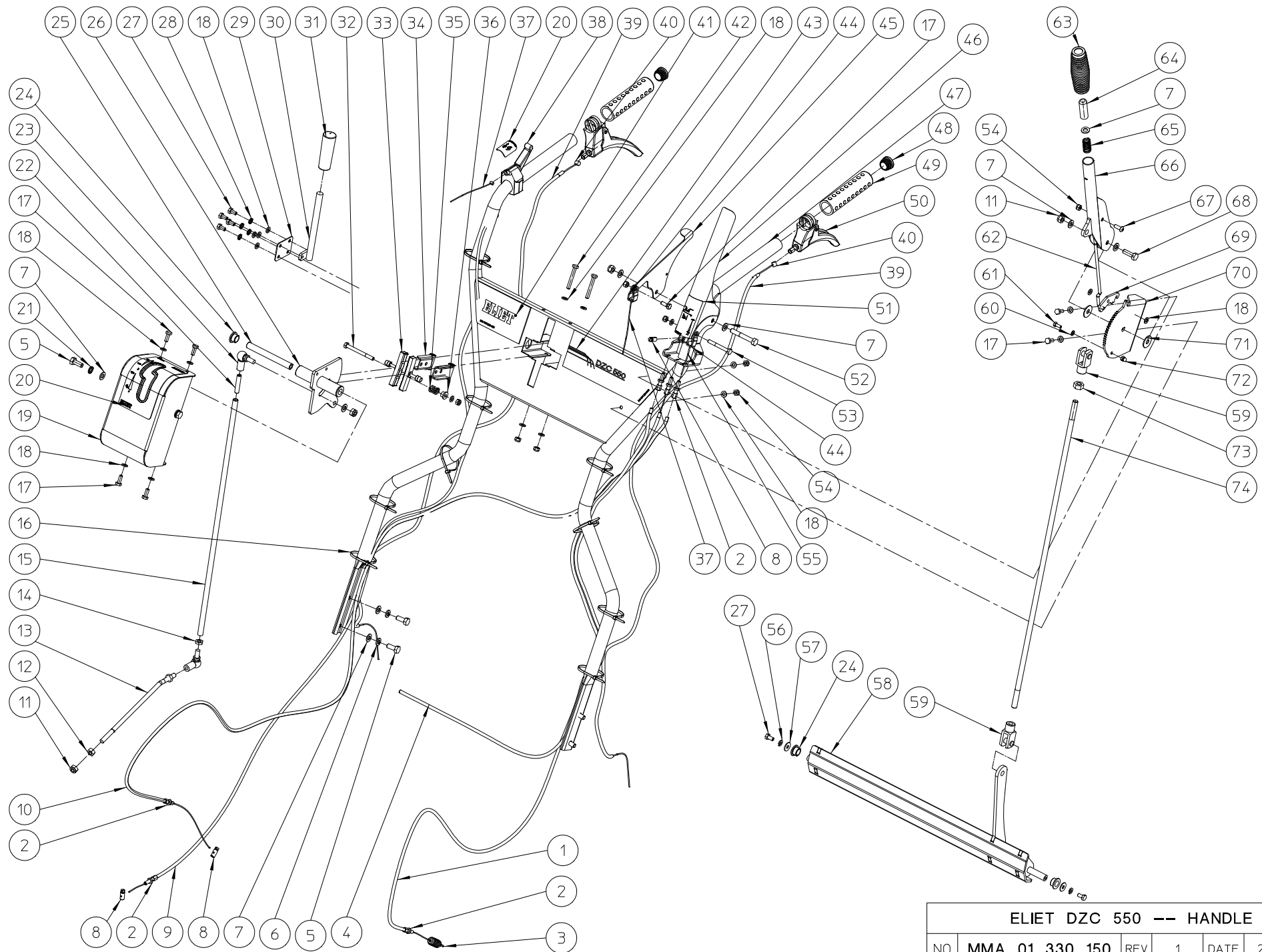
ELIET DZC 550 -- SIDE COVERS					
NO	MMA 01 330 130	REV	1	DATE	2014/01/24

#	Order nr	article description	quantity
1	BQ 501 010 090	sticker eliet 100x35	2
2	BS 521 100 820	screw m8x20 din 912	4
3	BN 230 300 100	grip	2
4	MPA 01 330 180	container	1
5	BS 502 000 800	self locking nut m8 din 985	6
6	BS 531 000 800	washer m8 din 125	14
7	BS 522 500 612	screw m6x12 iso 7380	8
8	BS 502 000 600	self locking nut m6 din 985	10
9	BS 531 000 600	washer m6 din 125	33
10	MPA 01 330 820	bracket container right	1
11	MPA 01 330 040	cover	1
12	BQ 501 250 020	sticker container 570x100mm	1
13	BR 602 006 151	rubber bumper	4
14	BO 230 010 650	latch	1
15	BS 522 500 616	screw m6x16 iso 7380	1
16	MPA 01 330 190	protection engine transmission	1
17	BS 512 000 610	bolt m6x10 din 933	24
18	MPA 01 330 320	cover gear box	1
19	BS 512 000 820	bolt m8x20 din 933	8
20	BS 533 000 800	lock washer m8 din 127b	6
21	MPA 01 330 210	protection transmission right	1
22	MPA 01 330 680	protectionplate back	1
23	BQ 505 010 010	identity sticker ce 120x30	1
24	BQ 505 112 098	sticker sound level 98 db	1
25	BQ 501 250 030	sticker eliet 150x50mm	1
26	BQ 505 010 171	safety sticker 70x115 (pictogram)	1
27	MPA 01 330 620	protection transimmision left	1
28	BQ 505 010 380	safety sticker 165x35 (hand cuts)	1
29	MPA 01 330 200	protection transmission left	1
30	MPA 01 330 220	protection transmission rotor	1
31	MPA 01 330 610	protection shaft rotor	1
32	BR 112 080 300	nylon bushing with collar (8.2/10.9/18x3.5/1.5)	2
33	MPA 01 330 600	hook container left	1
34	BB 221 004 100	pop plug steel 3.9x10	7
35	BR 625 020 100	rubber foot	2
36	BR 910 000 550	ertalon scraper 590x57x2	1
37	MPA 01 330 920	clampprofile	1



ELIET DZC 550 -- ROTOR					
NO	MMA 01 330 140	REV	1	DATE	2014/01/24

#	Order nr	article description	quantity
1	BS 512 001 016	bolt m10x16 din 933	1
2	BS 532 010 305	washer m10x30x2.5	1
3	BL 801 102 002	bearing + flanges ucpfl 204	2
4	MPA 01 010 010	bearing protection cover 204	2
5	MPA 01 090 520	connection ring for blades 20x45x8mm	1
6	MPA 01 330 780	spacer rotor	17
7	MPA 01 330 800	rubber support bladeshaft	34
8	BS 512 000 614	bolt m6x14 din 933	34
9	BS 502 000 600	self locking nut m6 din 985	34
10	MPA 01 330 690	shaft rotor	1
11	BS 501 902 200	nut m22x1.50 din 439	1
12	MPA 01 090 510	connection ring for blades 22x45x8mm	1
13	BU 402 101 001	set of knives (18)	1
14	BR 991 205 503	kit (34) printhane	1



ELIET DZC 550 --- HANDLE

NO	MMA 01 330 150	REV	1	DATE	2014/01/24
----	----------------	-----	---	------	------------

#	Order nr	article description	quantity
1	BK 212 061 730	cable conductor 6x1730mm	1
2	BK 610 100 600	cable set screw m6x34	6
3	BV 914 000 030	spring	1
4	BK 212 061 270	cable conductor 6x1270mm	1
5	BS 512 000 820	bolt m8x20 din 933	6
6	BS 533 000 800	lock washer m8 din 127b	4
7	BS 531 000 800	washer m8 din 125	12
8	BK 170 208 000	cable fastener 8x15mm	3
9	BK 212 061 630	cable conductor 6x1630mm	1
10	BK 212 062 000	cable conductor 6x2000mm	1
11	BS 502 000 800	self locking nut m8 din 985	4
12	BS 501 000 800	nut m8 din 934	2
13	MPA 01 330 860	control rod hydrostat	1
14	BS 501 900 800	nut m8 din 439	1
15	MPA 01 330 960	control rod	1
16	BE 043 010 200	wrap tie 200x3.5	10
17	BS 512 000 616	bolt m6x16 din 933	7
18	BS 531 000 600	washer m6 din 125	25
19	MPA 01 330 240	cover plate traction control	1
20	BQ 501 250 080	sticker locking knives 30x40mm	2
21	BS 534 000 800	lock washer m8 din 6798a	2
22	BS 523 000 840	din 916 screw m8x40	1
23	BA 230 010 800	ball joint m8	2
24	BR 112 121 090	nylon bushing with collar (12/16/22x10/2)	4
25	MPA 01 330 770	shaft adjustment depth	1
26	MPA 01 330 260	brake spider	1
27	BS 512 000 612	bolt m6x12 din 933	6
28	BS 534 000 600	lock washer m6 din 6798a	4
29	MPA 01 330 750	spring control hinge	1
30	MPA 01 330 280	controller pump	1
31	BN 230 100 512	plastic grip Ø12mm	1
32	BS 511 000 645	bolt m6x65 din 931	1
33	BA 410 100 101	brake friction pad	2
34	MPA 01 330 950	runner	1
35	BV 911 000 010	spring 14x2x16	1
36	BR 112 060 800	nylon bushing with collar (6/10/15x8.5/2)	1
37	BK 151 152 000	cable Ø1.5 l:2000mm	3
38	BN 332 500 410	control handle	1
39	BK 212 061 230	cable conductor 6x1230mm	2
40	BK 151 182 000	cable Ø1.8 l:2000mm	2
41	BQ 501 250 010	sticker control panel right	1
42	BS 512 000 641	bolt m6x45 din 933	2
43	BQ 501 250 090	sticker control panel left	1
44	BK 170 533 120	yoke 33x12	3
45	MPA 01 330 830	accelerator	1
46	MPA 01 330 250	declutching lever	1
47	MPA 01 330 400	handlebars	1
48	BR 020 501 250	tube cap Ø 25mm	2
49	BN 230 101 102	grip	2
50	BN 332 500 220	control handle	2
51	BQ 501 250 070	sticker enabling and disabling 40x80mm	1
52	BS 511 000 843	bolt m8x55 din 931	1

53	BS 511 000 642	bolt m6x50 din 931	1
54	BS 502 000 600	self locking nut m6 din 985	12
55	BK 182 162 500	cable Ø1.8 l:2500mm	1
56	BS 533 000 600	lock washer m6 din 127b	2
57	BS 532 006 183	washer m6x18x1.5	2
58	MPA 01 330 350	brake	1
59	BS 556 001 000	fork m10x20 din 71752	2
60	BS 531 000 500	washer m5 din 125	1
61	BS 512 000 512	bolt m5x12 din 933	1
62	MPA 01 330 890	brakerod	1
63	BN 230 100 402	rubber grip	1
64	MPA 01 330 880	button	1
65	BV 911 000 050	compression spring 1.5 x 15 x 28	1
66	MPA 01 330 330	hand brake	1
67	BS 522 500 616	screw m6x16 iso 7380	1
68	BS 512 000 825	bolt m8x25 din 933	1
69	MPA 01 330 870	bracket	1
70	MPA 01 330 930	hingepiece handbrake	1
71	BS 532 008 253	washer m8x25x1.5	2
72	BS 505 500 500	nut m5 din 1587	1
73	BS 501 001 000	nut m10 din 934	1
74	MPA 01 330 910	control shaft	1